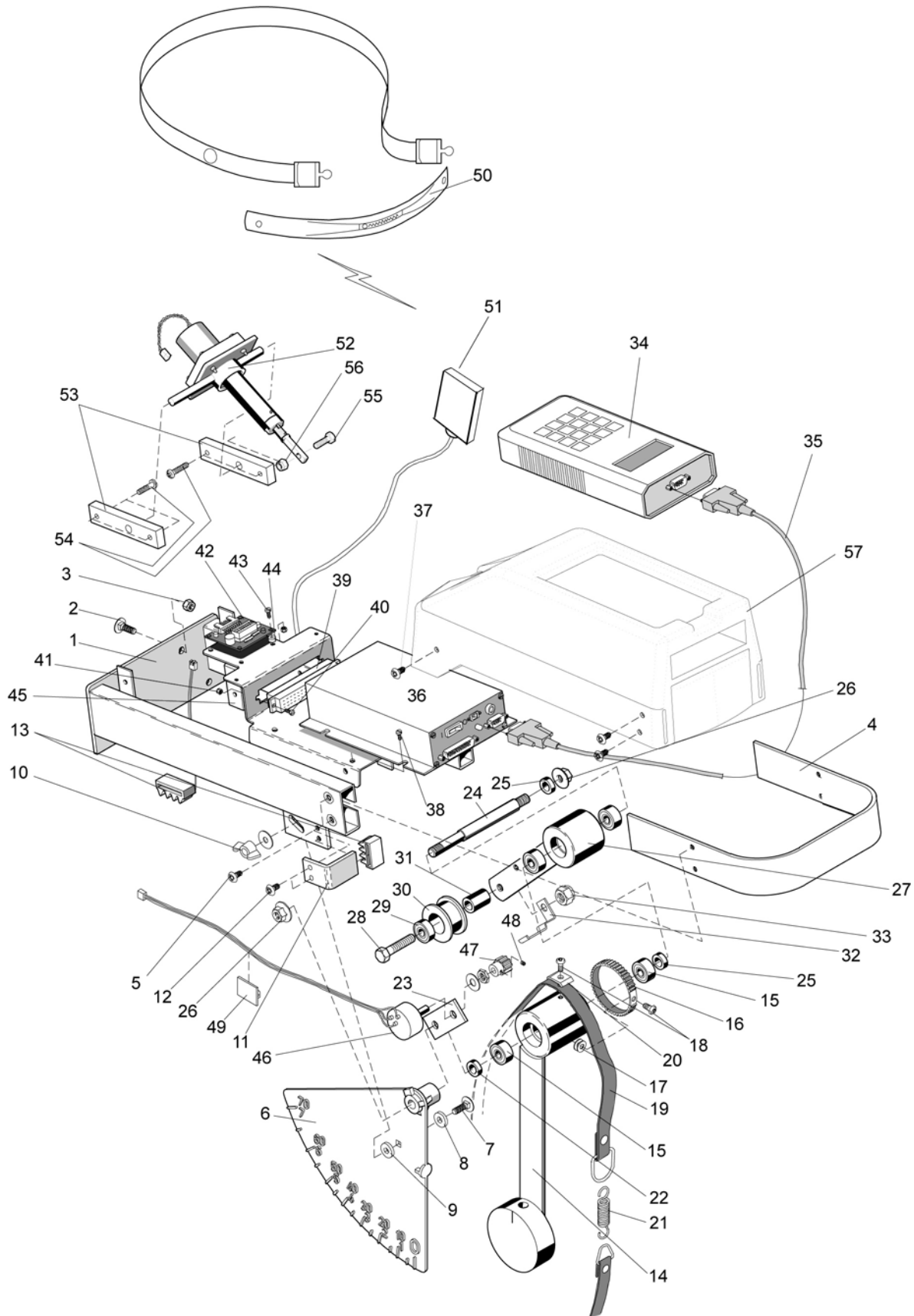
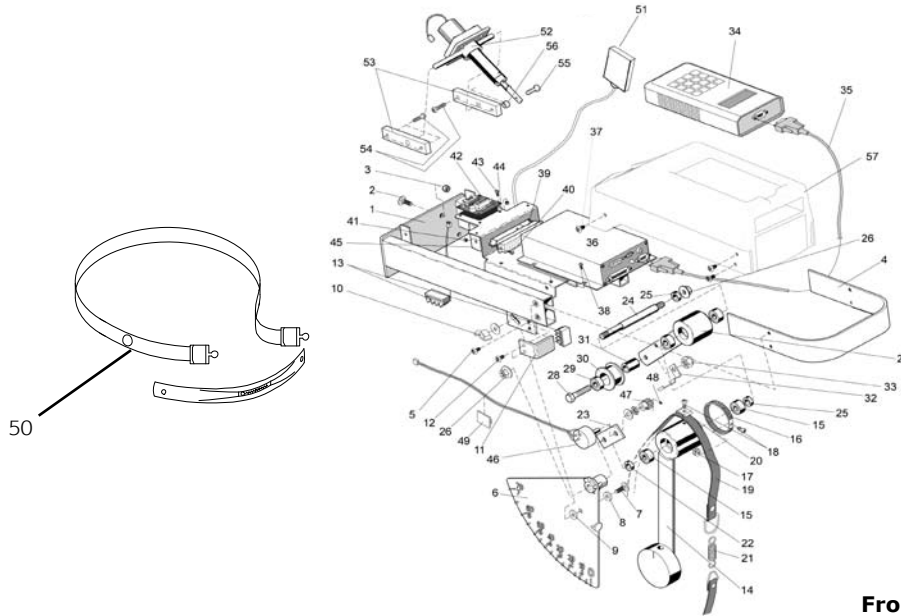


From serial no: WBK285907H

Pos.	Qty.	Art. No.	Description	Pos.	Qty.	Art. No.	Description
1	1	9301-15	Support tube, front	23	1	9300-131	Locking knob, complete
2	1	9301-16	Support tube, rear	24	1	9300-280	Handlebar, complete
3	4	9328-51	Plastic cap, blue	25	1	9100-180	-Screw
4	2	9000-37	Transport wheel	26	1	9126-72	-Handgrip, blue (pair)
5	6	5845	Locking nut M8	27	1	9300-432	Steel crank set, complete with magnets
6	2	9300-12	Screw MVBF M8x16 mm	28	1	9300-340	BB cartridge bearing
7	1	9300-291	Expander wedge M10	29	2	8523-115	Screw M6S 8.8 M8 x 20 FZB
8	1	9300-55	Chain 1/2" x 1/8", 116 l	30	2	8523-2	Dust cover
9	1	9300-50	Chain guard	31	1	9301-5	Frame
10	1	9300-52	Side guard	32	1	9300-3	Flywheel 20 kg, complete
11	2	5675-9	Mounting screw LKT-TT 5x6.5mm	33	1	9300-24	Wheel suspension, complete set
12	1	9339-55	Wheel cover	34	1	9000-12	-Chain adjuster
13	2	9304-32	Screw M5x25 mm	35	1	9106-13	-Sprocket
14	1	9300-53	Holder for guard	36	1	9106-14	-Connection
15	1	9300-56	Cover for saddle	37	3	19001-6	-Bearing 6001-2z
16	1	9300-57	Cover for frame	38	1	9300-18	-Axle
17	1	9300-220	Pedal (pair)	39	1	9300-17	-Bush, 23 mm
18	1	9300-207	Pedal strap (pair)	40	2	9300-58	Holder for chain guard
19	1	4994-5	Saddle	41	4	9328-26	Rubber foot
20	1	9300-114	Seat clamp	42	1	9326-166-1	Holder for sensor
21	1	9300-138	Saddle post	43	1	9326-169	Sensor with cable
22	1	9300-115	Bushing for saddle post		1	9000-211	Calibration weight, 4 kg





From serial no: WBK285907H

Pos.	Qty.	Art. No.	Description	Pos.	Qty.	Art. No.	Description
1	1	9339-38	Frame for equipment	34	1	9339-51	Terminal
2	4	9300-21	Screw MVBF 6x16 mm	35	1	9339-27	Cable
3	4	5843-9	Nut M6	36	1	9339-52	Base unit
4	1	9339-59	Handles	37	6	5673-9	Screw M5x12
5	4	5673-9	Screw M5	38	4	5675-9	Screw M5x6.5
6	1	9339-100	Kp-scale board	39	1	9339-25	Connection device
7	1	9339-21	Screw M6	40	2	9305-42	Screw MCS M3x30 fzb
8	1	5880	Washer	41	2	5840	Nut M3
9	1	5862	Washer	42	1	9339-56	Card for metronome
10	1	9000-102	Wing nut	43	4	9339-49	Screw MCS M3x10 fzb
11	1	9300-94	Stop	44	4	9339-33	Distance
12	2	5671-9	Screw M5	45	1	9339-24	Cover
13	2	9300-99	Plastic stop	46	1	9339-62	Potentiometer
14	1	9300-88	Weight lever with bearing	47	1	9303-52	Pulley
15	2	19001-6	Ball bearing 6001-2z	48	1	9305-44	Locking screw
16	1	9303-54	Belt 55T	49	1	9300-66	Holder for cable
17	2	5861	Washer	50	1	9339-98	Chestbelt, DT
18	1	5673-9	Screw M5	51	1	9339-76	Receiver, DT
19	1	9339-61	Brake belt	52	1	9339-57	Tension device, complete
20	1	9300-92	Bracket	53	2	9339-40	Bracket for tension device
21	1	9008-124	Spring	54	4	5671-19	Screw M5
22	1	9339-87	Spacer	55	1	14324-9	Screw M6
23	1	9303-51	Holder for potentiometer	56	1	5843-9	Nut M6
24	1	9339-86	Axle	57	1	9339-80	Instrument cover
25	2	9000-17	Spacer		1	9339-67	Power adaptor
26	2	5799	Nut		1	9339-850	Chestbelt, Polar T34
27	1	9339-22	Tension lever		1	9339-851	Strap for chestbelt, Polar
28	1	14359	Screw M8		1	9338-21	Receiver, Polar
29	1	19088-6	Bearing		1	9338-20	USB serial adaptor
30	1	9100-21	Tension cylinder		1	9339-27	Communication cable, 1.8 m
31	1	9339-32	Spacer		1	9339-39	Communication cable, 3 m (accessory)
32	1	9339-23	Belt control				
33	1	5844	Nut M8				